

MODEL # CIMR-ZU	VOLTAGE THREE-PHASE (VAC)	OUTPUT CURRENT (A)	WEIGHT LBS (Kg)	HEAT LOSS (W) (Fc=4kHz)		
				INT	EXT	TOT
4A0302FX	380/480	302	286 (130)	929	3278	4207

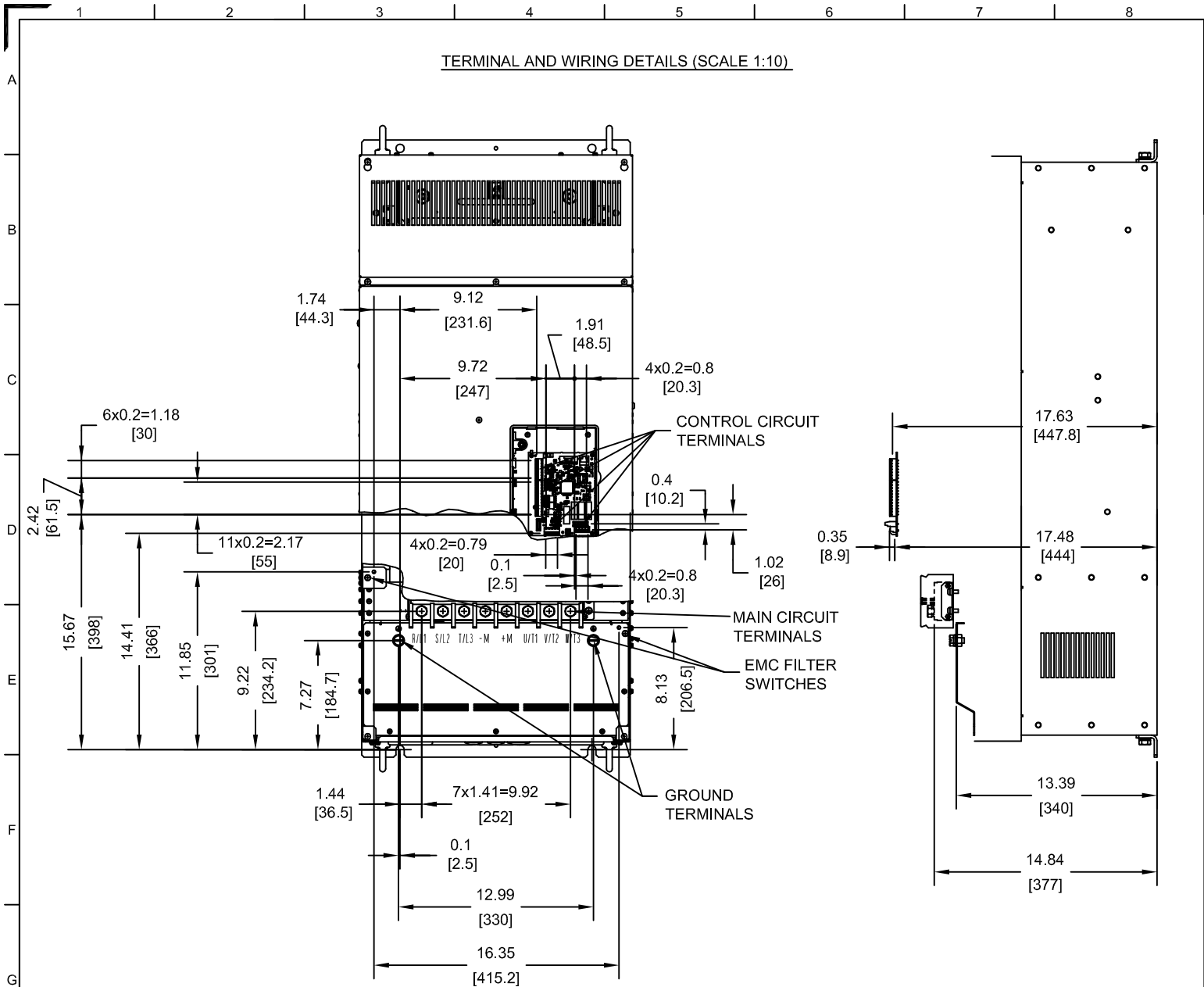
**NOTE:**  
XX DENOTES AA-ZZ

INT=INTERNAL COMPONENTS  
EXT=EXTERNAL HEATSINK  
TOT=TOTAL

FOR ADDITIONAL DETAILS AND SPECIFICATIONS, CONSULT MANUAL

<b>TOLERANCES / REFERENCES:</b>  	<b>DRAWN:</b> J. MATTAS <b>DATE:</b> 8-30-11	<b>TITLE:</b> Z1000 DIMENSION DRAWING		
	<b>CHECKED:</b> J. PIOTROWSKI <b>DATE:</b> 10-21-11	FRAME SIZE 7 NEMA TYPE 1 ENCLOSURE		
	<b>TECH:</b> J. BORJA <b>DATE:</b> 9-23-11	SIZE A	REVISION R00	PAGE 1 of 3
	<b>APPROVED:</b> J. CAIRO <b>DATE:</b> 10-17-11	<b>DRAWING #:</b> DD.Z1K.FR7.N1		
<b>UNITS:</b> IN [mm]	<b>SCALE:</b> 1:15	<b>ORIGINAL DESIGN:</b> -		
THIS DOCUMENT AND INFORMATION CONTAINED IN IT ARE CONFIDENTIAL, AND CANNOT BE COPIED OR DISCLOSED IN WHOLE OR IN PART WITHOUT THE EXPRESS WRITTEN CONSENT OF YASKAWA AMERICA, INC.				

TERMINAL AND WIRING DETAILS (SCALE 1:10)



TERMINAL AND WIRE SPECIFICATIONS FOR MAIN CIRCUIT AND GROUND

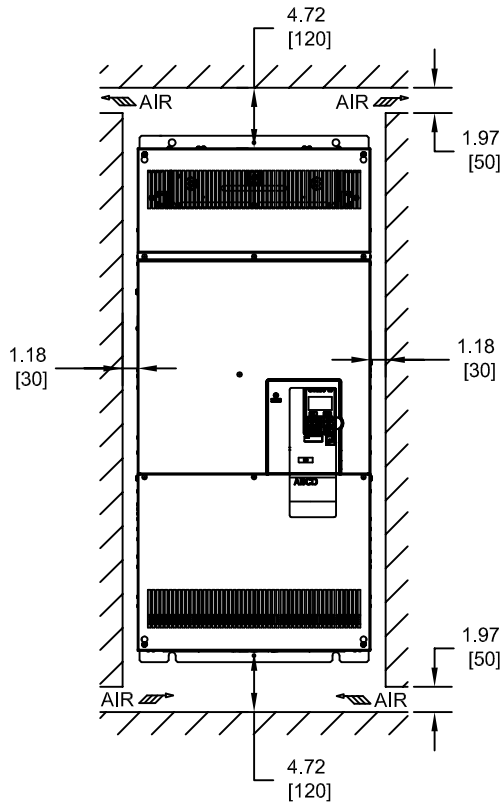
MODEL # CIMR-ZU	TERMINAL SYMBOL	TERMINAL SCREW	CLAMPING TORQUE lb.in.(N.m.)	WIRE RANGE AWG(mm <sup>2</sup> )
4A0302	R/L1, S/L2, T/L3, U/T1, V/T2, W/T3, -M, +M, ⊕	M10	239 TO 266 (27 TO 30)	1/0-4/0 (55-120)

NOTE: REFER TO APPLICABLE CODES FOR PROPER WIRE TYPE AND SIZE

FOR ADDITIONAL DETAILS AND SPECIFICATIONS, CONSULT MANUAL

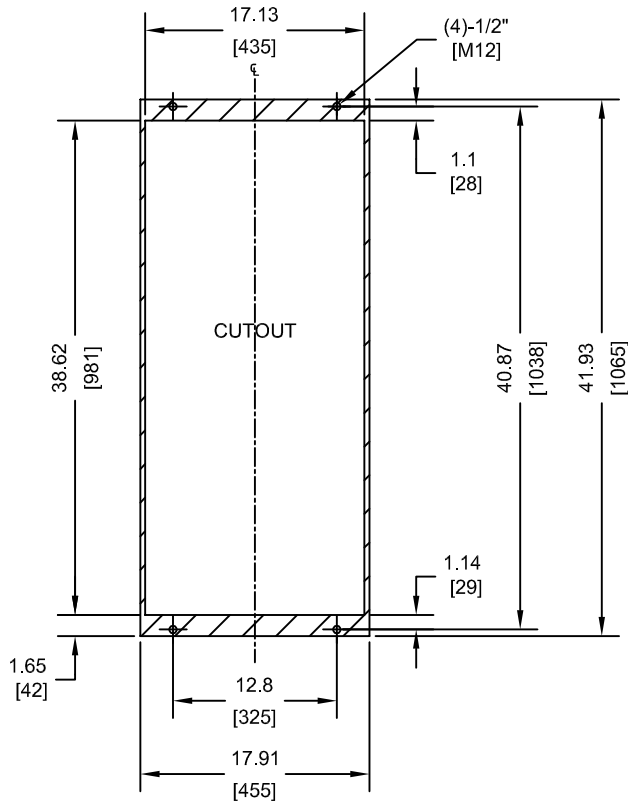
TOLERANCES / REFERENCES:			DRAWN: J. MATTAS 8-30-11	TITLE: Z1000 DIMENSION DRAWING FRAME SIZE 7 NEMA TYPE 1 ENCLOSURE 4A0302		
			CHECKED: J. PIOTROWSKI 10-21-11	DATE: 9-23-11	REVISION: R00	PAGE: 2 of 3
		THIS DOCUMENT AND INFORMATION CONTAINED IN IT ARE CONFIDENTIAL, AND CANNOT BE COPIED OR DISCLOSED IN WHOLE OR IN PART WITHOUT THE EXPRESS WRITTEN CONSENT OF YASKAWA AMERICA, INC.	TECH: J. BORJA 9-23-11	DRAWING #: DD.Z1K.FR7.N1		
UNITS: IN [mm]	SCALE: BY VIEW		APPROVED: J. CAIRO 10-17-11	DATE: -		

MINIMUM INSTALLATION CLEARANCES (SCALE 1:15)



NOTE:  
FOR SIDE-BY-SIDE MOUNTING  
CONSULT MANUAL

PANEL CUTOUT FOR EXTERNAL HEATSINK  
MOUNTING CONFIGURATION (SCALE 1:15)



NOTES:

1. CUTOUT TOLERANCES:  
+/- 0.02IN (0.5MM)
2. EXPOSED HEATSINK DEPTH  
D=9.06" MINUS PANEL THICKNESS

FOR ADDITIONAL DETAILS AND SPECIFICATIONS, CONSULT MANUAL

TOLERANCES / REFERENCES:			DRAWN: J. MATTAS 8-30-11	TITLE: Z1000 DIMENSION DRAWING		
			CHECKED: J. PIOTROWSKI 10-21-11	FRAME SIZE 7 NEMA TYPE 1 ENCLOSURE 4A0302		
		TECH: J. BORJA 9-23-11	DATE: 9-23-11	SIZE: A	REVISION: R00	PAGE: 3 of 3
		APPROVED: J. CAIRO 10-17-11	DATE: 10-17-11	DRAWING #: DD.Z1K.FR7.N1		
UNITS: IN [mm]	SCALE: BY VIEW	THIS DOCUMENT AND INFORMATION CONTAINED IN IT ARE CONFIDENTIAL, AND CANNOT BE COPIED OR DISCLOSED IN WHOLE OR IN PART WITHOUT THE EXPRESS WRITTEN CONSENT OF YASKAWA AMERICA, INC.		ORIGINAL DESIGN: -	DATE: -	